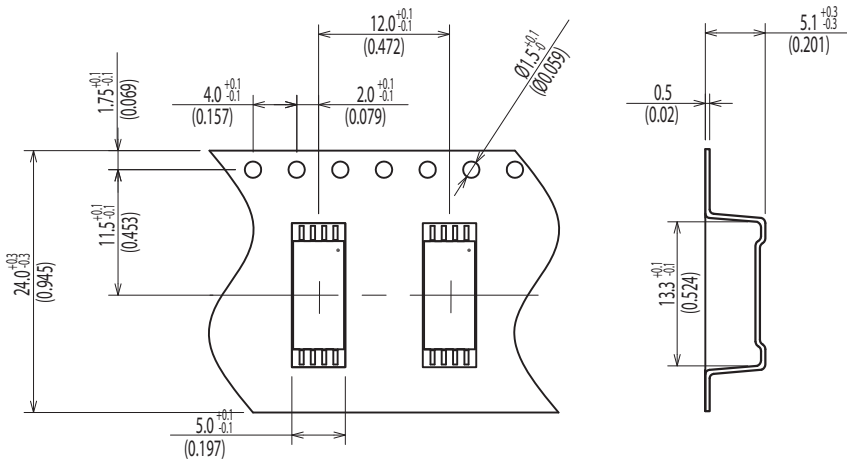
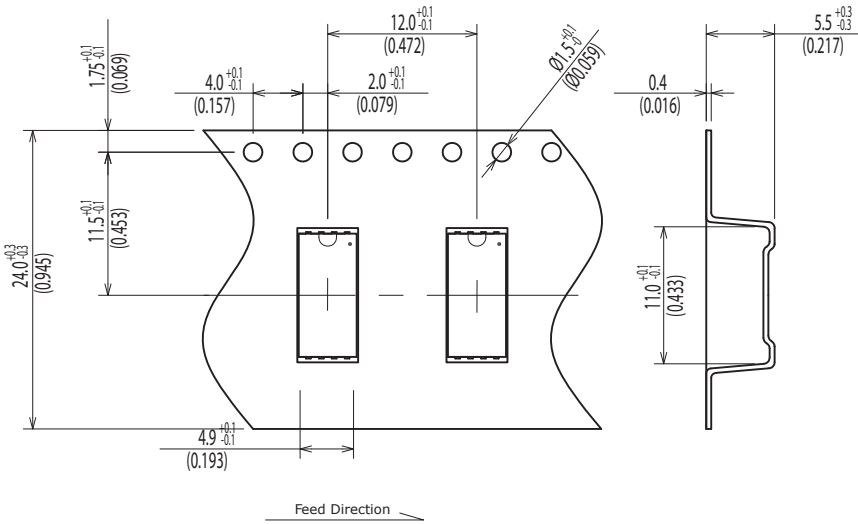


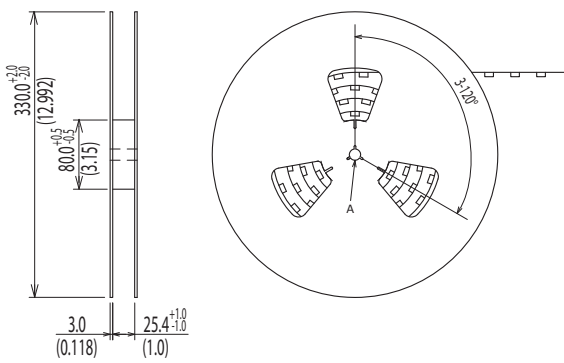
**Dimensions of Tape and Reel All Dimensions are mm (inch)**



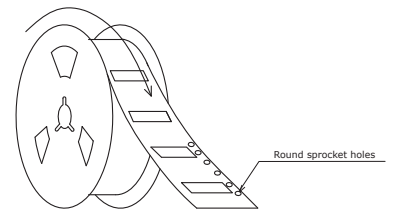
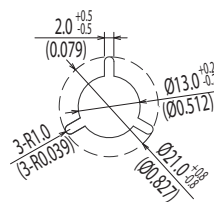
MG-E1□□H-64



MJ-E1□□H-64



Details of the part A



Packing Quantity: 1,000pcs

Packing conforms to EIA standard EIA-481-2 or EIA-481-3