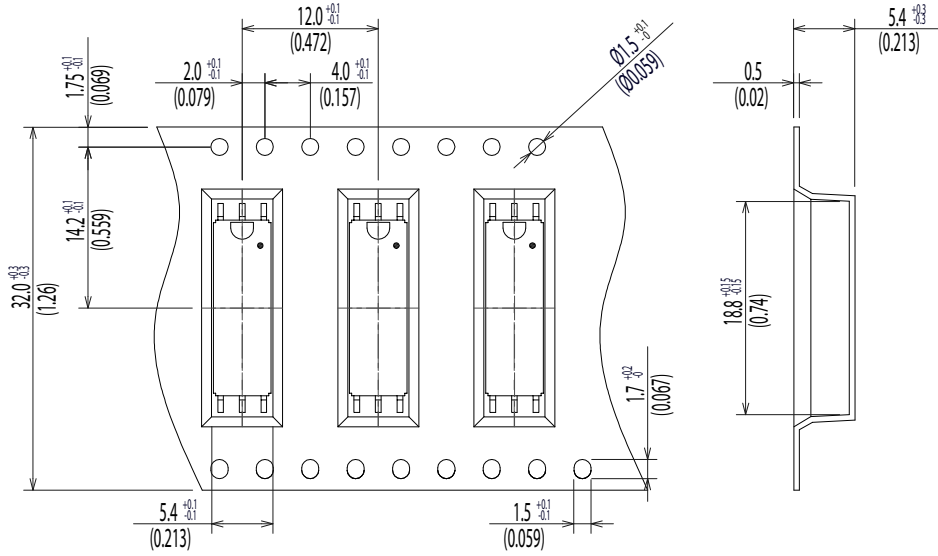
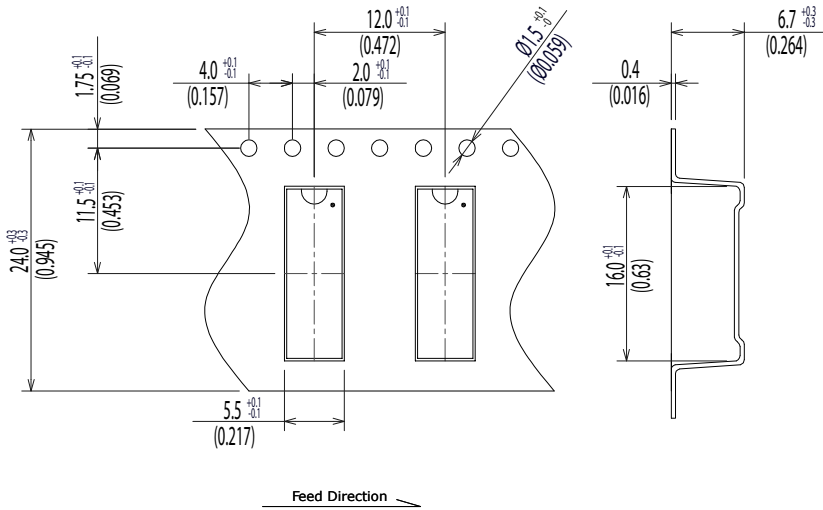


Dimensions of Tape and Reel All Dimensions are mm (inch)

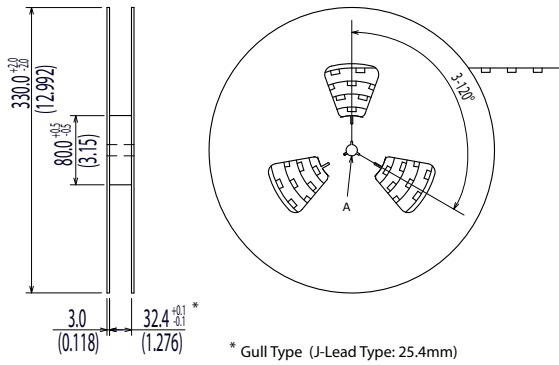


MUG-1□□SK3H-53



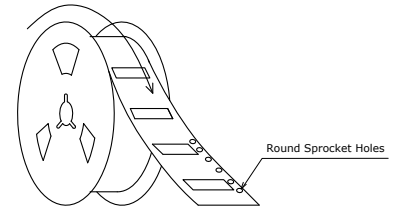
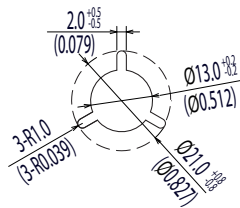
MUJ-1□□SK3H-53

Feed Direction →



* Gull Type (J-Lead Type: 25.4mm)

Details of the part A



Packing Quantity: 500pcs

Packing conforms to EIA standard EIA-481-2 or EIA-481-3